

**Series 4, Built-in fridge-freezer with freezer at bottom, 177.2 x 54.1 cm, sliding hinge
KIN86VSE0G**



The spacious built-in fridge-freezer combination with VitaFresh XXL and NoFrost keeps food fresh for longer and prevent ice formation.

- **No Frost:** never defrost again, thanks to perfect protection from ice formation - that saves time and effort.
- **Quiet appliances:** enjoy a calm and relaxing home.
- **Cool Airflow:** maintains optimal air circulation and a constant temperature level throughout the cooling area.
- **LED lighting:** all your items in perfect view.
- **Super Freeze function:** prevents the food in your freezer from defrosting.

Technical Data

Energy Efficiency Class ¹ : E
Average annual energy consumption in kilowatt hour per year (kWh/a): 234 kWh/annum
Sum of volume of frozen compartments: 76 l
Sum of volume of chill compartments: 184 l
Airborne acoustical noise emissions : 35 dB(A) re 1pW
Airborne acoustical noise emission class: B
Built-in / Free-standing: Built-in
Door panel options: Not possible
Height: 1772 mm
Width of the appliance: 541 mm
Depth: 548 mm
Required niche size for installation (HxWxD): 1775x560x550 mm
Net weight: 52.7 kg
EAN code: 4242005270064
Fuse protection: 10 A
Door hinge: Right reversible
Voltage: 220-240 V
Frequency: 50 Hz
Length electrical supply cord: 230 cm
Number of compressors: 1
Number of independent cooling systems: 1
Interior ventilator: No
Reversible Door Hinge: Yes
Number of Adjustable Shelves in fridge compartment: 2
Shelves for Bottles: Yes
Frost free system: Freezer
Installation typology: Integrated



¹ Scale of Energy Efficiency Classes from A to G

Series 4, Built-in fridge-freezer with freezer at bottom, 177.2 x 54.1 cm, sliding hinge KIN86VSE0G

- Noise Level : 35 dB , EU19_Noise emission class_D: B
- Temperature rise time : EU19_Temperature rise time_D: 10 H

The spacious built-in fridge-freezer combination with VitaFresh XXL and NoFrost keeps food fresh for longer and prevent ice formation.

Design features

- easy Installation

Functions

- Bright interior LED fridge light in fridge section

Design features

- LED electronic control
- Super Cooling: automatic deactivation
- SuperFreeze function with automatic deactivation
- Optical and accoustical
- 4 safety glass shelves in fridge compartment of which 2 are height adjustable

Design features

- 1 removable door storage compartments.
- 3 door bins

Freshness System

- 1 VitaFresh drawer with humidity control - Fruits and vegetables retain vitamins and stay fresh for longer

Food freshness system

- NO_FROST_NEU_BL, never have to defrost ever again
- 3 freezer drawers

Dimension and installation

- Dimensions: 177.2 cm H x 54.1 cm W x 54.8 cm D
- Niche Dimensions: 177.5 cm H x 56 cm W x 55 cm D

Key features - Fridge section

- Right hinged door, door reversible
- 220 - 240 V

Key features - Freezer section

- 1 x ice cube tray

Country Specific Options

- Based on the results of the standard 24-hour test. Actual consumption depends on usage/position of the appliance.

Additional features

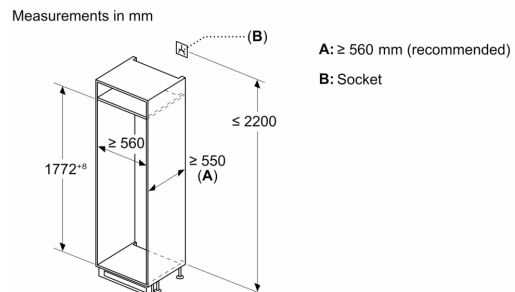
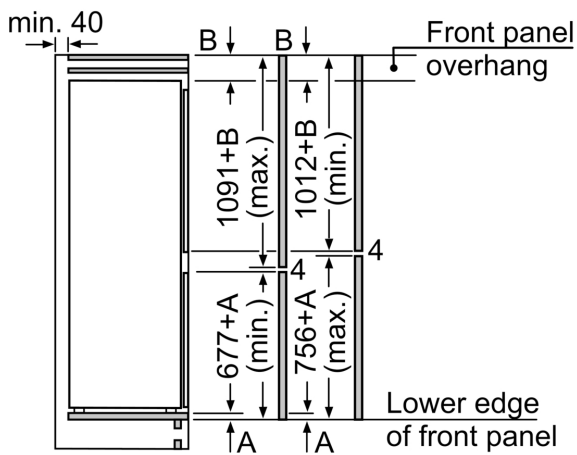
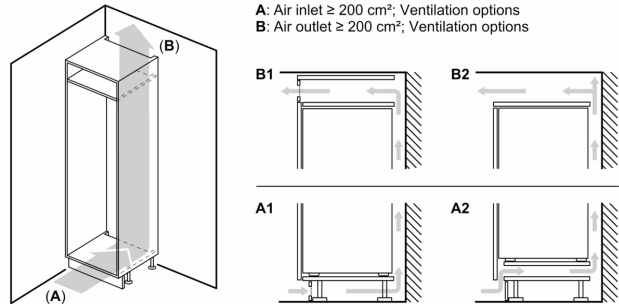
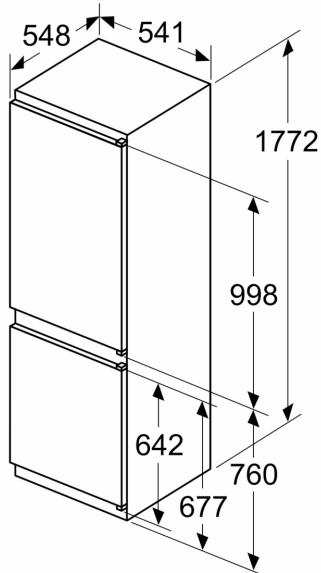
- Net 4* compartment volume : 76 l

Performance and Consumption

- EU19_EEK_D: E
- Total Volume : 260 l
- Net Fridge Volume : 184 l
- Net Freezer Volume : 76 l
- Freezing capacity 24h : 4 kg
- Annual Energy Consumption: 234 kWh/a
- Climate Class: SN-ST

Series 4, Built-in fridge-freezer with freezer at bottom, 177.2 x 54.1 cm, sliding hinge KIN86VSE0G

measurements in mm



The specified unit door dimensions are valid for a door gap of 4 mm.

measurements in mm